

# HF 360

COM1 - Concealed wiring  
 EAN 4007841 002800  
 Article number 002800



high frequency sensor 360°



max. Ø 12 m

2000 W

max. 2000 W



IP20



ideal 2.5 - 3.5 m



indoor sensor

iQ

iQ-mode

Teach

Teach mode



energy saving

5 years

manufacturer's warranty steinel-professional.de/garantie

## Function description

Doesn't miss a thing. HF-presence detector Presence Control PRO HF 360 COM1 for indoors, ideal for WCs with toilet cubicles, changing rooms, stairwells, multi-storey car parks, kitchens, installation height up to 3.5 m, for switching light 'ON' and 'OFF', 1 – 12 m reach, reach is electronically adjustable and can be limited in two directions, detection regardless of temperature, HF-sensor technology also detects movement through glass, wood and stud walls.

## Technical specifications

Dimensions (L x W x H)	56 x 120 x 120 mm	Technology, sensors	High frequency, Light sensor
Manufacturer's Warranty	5 years	Mounting height	2,50 – 3,50 m
Settings via	Remote control, DIP switches, Potentiometers, Smart Remote	Mounting height max.	3,50 m
With remote control	No	Optimum mounting height	2,8 m
Version	COM1 - Concealed wiring	HF-system	5,8 GHz
PU1, EAN	4007841002800	Detection	also through glass, wood and stud walls
Type	Presence detector	Detection angle	360 °
Application, place	Indoors	Angle of aperture	140 °
Application, room	function room / ancillary room, kitchenette, stairwell, WC / washroom, Indoors	Sneak-by guard	Yes
Colour	white	Capability of masking out individual segments	Yes
Colour, RAL	9010	Electronic scalability	Yes
Includes corner wall mount	No	Mechanical scalability	No
Installation site	ceiling	Reach, radial	Ø 12 m (113 m <sup>2</sup> )
Installation	Concealed wiring, Ceiling	Reach, tangential	Ø 12 m (113 m <sup>2</sup> )
IP-rating	IP20	Transmitter power	< 1 mW

# HF 360

COM1 - Concealed wiring  
 EAN 4007841 002800  
 Article number 002800



## Technical specifications

Ambient temperature	from -25 up to 55 °C
Material	Plastic
Mains power supply	230 V / 50 – 60 Hz
Fluorescent lamps, electronic ballast	1500 W
Fluorescent lamps, uncorrected	1000 VA
Fluorescent lamps, series-corrected	1000 VA
Fluorescent lamps, parallel-corrected	1000 VA
Switching output 1, low-voltage halogen lamps	2000 VA
LED lamps < 2 W	100 W
LED lamps > 2 W < 8 W	300 W
LED lamps > 8 W	600 W
Capacitive load in µF	176 µF

Functions	Normal / test mode, Semi-/fully automatic, Pushbutton / switch mode, Manual ON / ON-OFF
Twilight setting	10 – 1000 lx
Time setting	30 s – 30 Min.
Basic light level function	No
Main light adjustable	No
Twilight setting TEACH	Yes
Constant-lighting control	No
Interconnection	Yes
Type of interconnection	Master/master, Master/slave
Interconnection via	Cable
Product category	Presence detector

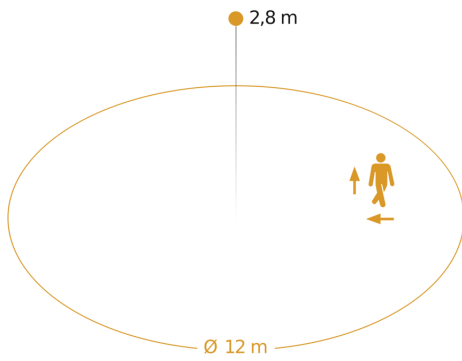
## Accessories

EAN 4007841 000363	Surface-mounted adapter Control Pro IP54
EAN 4007841 003036	Control PRO guard cage
EAN 4007841 009151	Remote control Smart Remote
EAN 4007841 006600	HF-ceiling adapter
EAN 4007841 559410	Service remote control RC8

# HF 360

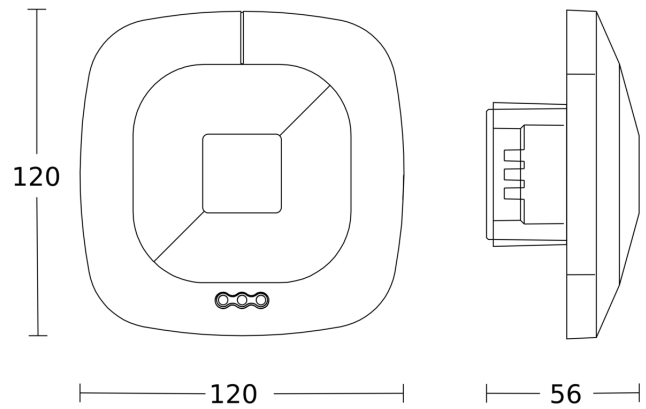
COM1 - Concealed wiring  
EAN 4007841 002800  
Article number 002800

## Detection Zone

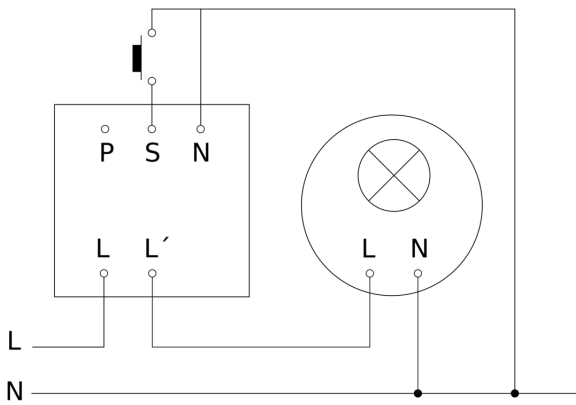


Possible mounting height: 2,50 m - 3,50 m  
Orange: radial and tangential

## Dimension Drawing



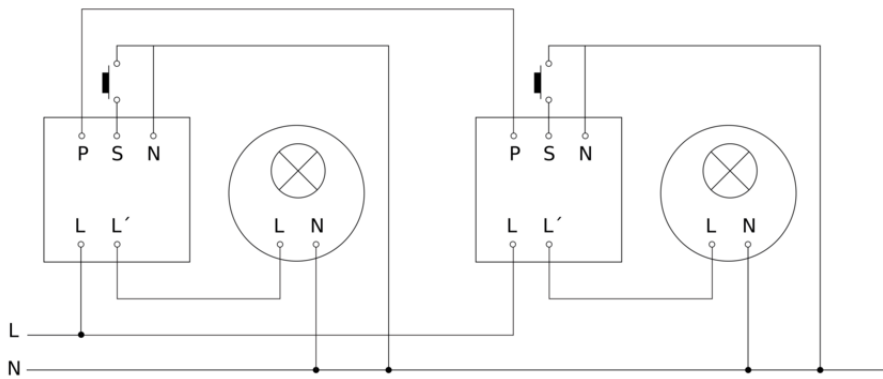
## Master circuit diagram



# HF 360

COM1 - Concealed wiring  
EAN 4007841 002800  
Article number 002800

## Master/master interconnection circuit diagram



## Master/slave interconnection circuit diagram

